

## Grounding Lugs



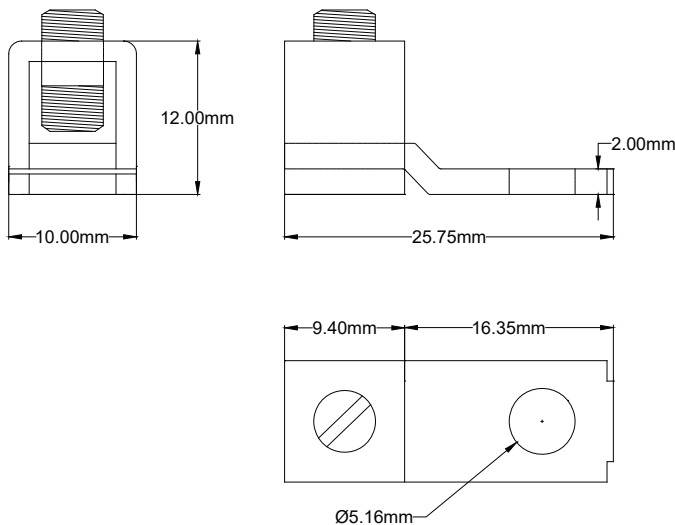
### DESCRIPTION

HESCO/RLS copper grounding lugs (PN: 5310) are designed to provide minimum contact resistance and offer protection against corrosion.

### FEATURES

Lug Material.....Copper  
Screw Mount Size...#8, #10, M4, M5, or 1  
Mounting Screw Torque.....20/2.3  
Wire Size (AWG).....22-6  
Wire Clamp Screw Torque....10-15/1.3-1.7

### DIMENSIONS



### INSTALLATION

Disconnect all power before installing any grounding lugs. Closely inspect all completed connections prior to turning power back on. Ensure all torque values do not exceed the specifications listed on this technical sheet.

#### HESCO/RLS

220 Springview Commerce Drive  
Unit 190  
DeBary, FL 32713

For more information and product support call us at...

1-800-547-4868